

European Iron Academy

Multiplier Event/End Symposium

8th November 2017

Andelst NL

Coordinator of the European Iron Academy Janny Huisman

Director of Mondra training Centre
in forging techniques in the Netherlands

coordinator@europeanironacademy.eu

www.europeanironacademy.eu

European Iron Academy



KA 2 Strategic partnership for vocational
education and training VET

EU Erasmus+ 2015-2017

The idea

2012 Ring of the European Cities of Iron Works

More and more standardized products

Demand for individual designs and crafts was growing

Some European blacksmiths joined together

Start new follow up for VET training education:

European Iron Academy



The vision

Two stages project of the **European Iron Academy**:

- * Prepares a base of international vocational level of forging/metal working.
- * Students will be provided by a variety of specialized training programs.
- * In 2021, a personal structure of top lecturers, fixed curriculum and educational methods verified during implementation of the 2016-2020 project is formed.

The Start



May 26th 2012 in Bienno, Italy
Ring of the European Cities of Iron Works
Competent council of blacksmiths

Application approved in October 2015.
The kick off meeting in February 2016.

Partners



- Netherlands: Mondra Opleidingen, Andelst



- Finland: RASEKO, Raise



- Germany: Europäisches Zentrum für zeitgemäße Metallgestaltung, Kolbermoor



- Germany: Ring of the European Cities of Iron Works, Olbernhau



- Czech Republic: Muzeum Komenského v Přerově, Přerov



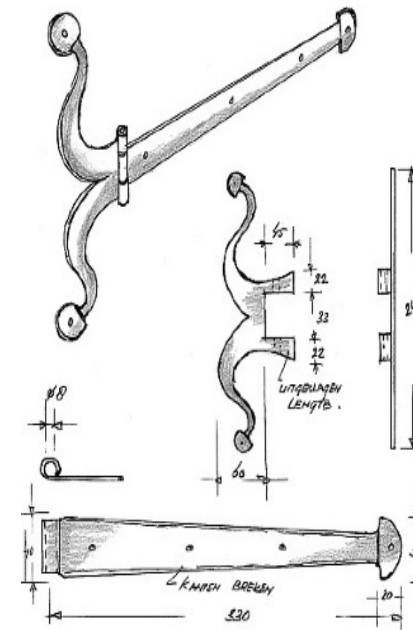
- Austria: Tannhäuser-Schmiede, Ybbsitz



- Italy: Associazione Biennale Arte Fabbrile, Pratovecchio Stia

Specialties partners

- Netherlands restoration, ship forging works
- Finland woodwork- and hunting tools,
- Germany bronze forging, cemetery monuments
- Czech Republic old weapons, archaeological replica
- Austria tools for stoneworkers and farmers, jewelry, restoration of objects out of the imperial period
- Italy focus on architecture and modern designs, sculptures and religious work



Tasks of the partners

- Output 1: Making an inventory report of levels of the actual education in Europe
- Output 2: Making a list of learning outcomes in the various

European educational programs

- Output 3: Creating a learning platform Website
- Creating support for the academy among stakeholders
- Thinking about the future of the project.



Project meetings



- February 2016: Oude IJsselstreek/ Andelst, the Netherlands
- June 2016: Ybbsitz, Austria
- October 2016: Raisio, Finland
- January 2017: Kolbermoor, Germany
- April 2017: Pratovecchio Stia, Italy
- June 2017: Přerov, Czech Republic
- November 2017: Andelst, The Netherlands

EUROPEAN IRON ACADEMY[®]



The Netherlands



Italy



Germany



Czech Republic



Austria



Final Symposium / Multiplier Event

with Stakeholders from the blacksmith education field

November 8th 2017

Andelst, The Netherlands

